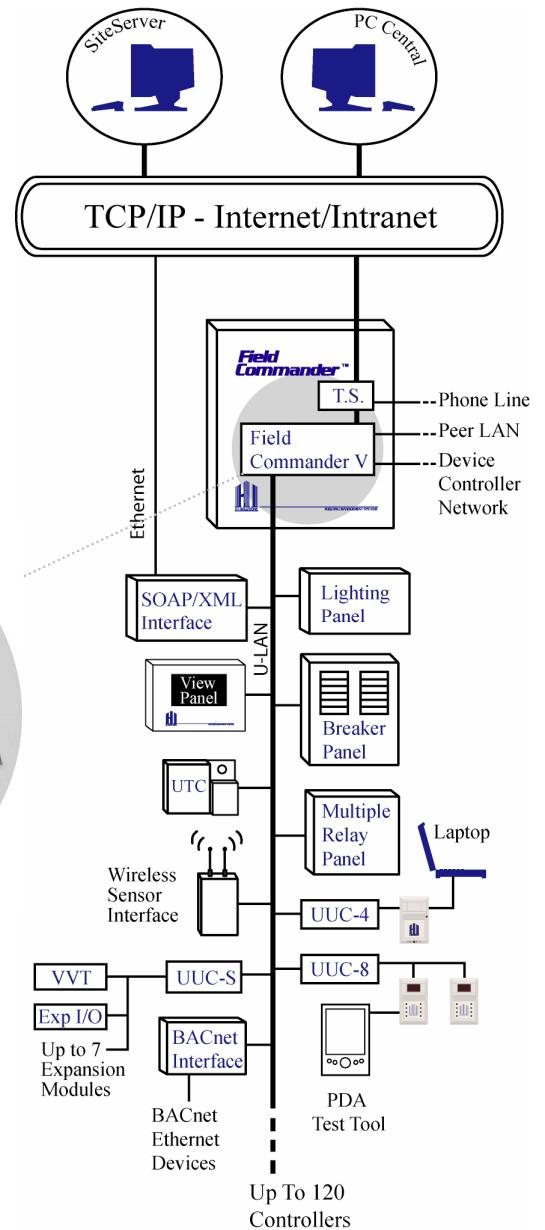
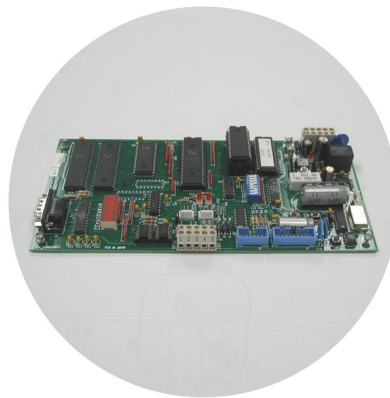
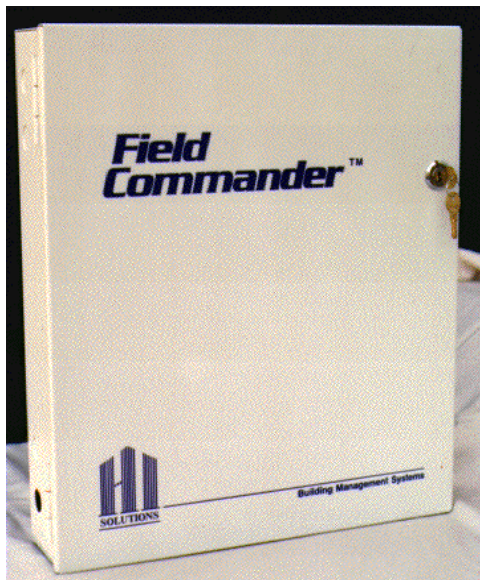


Field Commander™

Field Commander V

Overview

The Field Commander is a microprocessor based building automation and energy management system capable of controlling energy and demand using remotely located device controllers. The system performs the functions of scheduling equipment, demand limiting, duty cycling, monitoring, reporting, trend logging, control strategies, and system optimization. The Field Commander provides direct control of local device controller inputs and outputs, coordinates unitary controllers for system wide scheduling and operations, and can be linked with other Field Commanders in a peer network to form large systems.



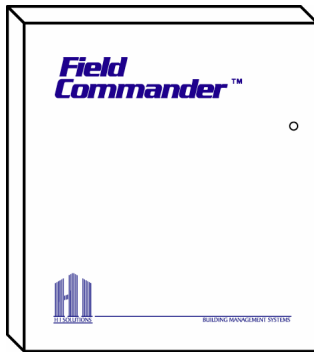
Features

Modular hardware with flexible configurations
 Non-volatile storage of all database and control information
 Clock and calendar with battery backup
 2 multi-drop RS-485 LANs; RS-232 serial connection
 Up to 16 FC-V peers, Up to 120 Universal Unitary Controllers
 Automatic fail-safe mode
 300 Schedules, 250 programming monitors
 Device Controller port for local I/O
 Interactive digital control
 Automatic temperature adjustment

Optimum start/stop, Equipment Scheduling
 Energy reports including demand and usage.
 Trend collection and reports with automatically scaled graphs.
 Maintenance and security alarm messages.
 Temperature and status reports.
 English language user interface with screen editor data entry.
 Load Shedding, Demand Limiting
 Energy Management
 Reports adverse conditions by outbound connection
 Automatic communications between remote sites and the central system with automatic logon and password exchange.

Field Commander V Assembly

016-6525



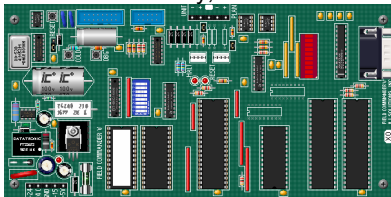
This is a prepackaged assembly in a wall-mount metal cabinet including a 24VAC transformer. Either a modem cable (016-2145) or PC cable (016-2144) are included. The following optional products are often packaged in the assembly:

Terminal Server	(016-4075)	Connects FC-V to an 10-Base-T Ethernet Network
Terminal Server w/ Modem Backup	(016-4075M)	Same as above but with integrated backup modem connection.
Local User Interface	(016-4046L)	Provides an additional local RS-232 communication interface on the Peer LAN

Field Commander V Board

016-4041

FC-V board only; no enclosure.



Power requirements:	24VAC
Communications	1 RS-232 for modem/PC/Terminal Server(Ethernet) 1 RS-485 for Peer Network up to 16 peers 1 RS-485 for Unitary Network up to 120 unitary controllers 1 Device Controller port for up to 8 device controllers
Dimensions:	9" x 4 1/2"
Memory:	10 year battery-backed memory for database storage

About H I Solutions

Since 1974 H I Solutions has provided innovative and cost-effective solutions for building management needs with computer-based automation systems for industrial, commercial, office, retail, educational, and healthcare facilities. Our distribution channels include a network of Independent Distributors, OEM, and National Accounts. Headquartered outside Atlanta, Georgia, H I Solutions is committed to offering quality engineering and performance, low overall cost, and unparalleled customer service.

